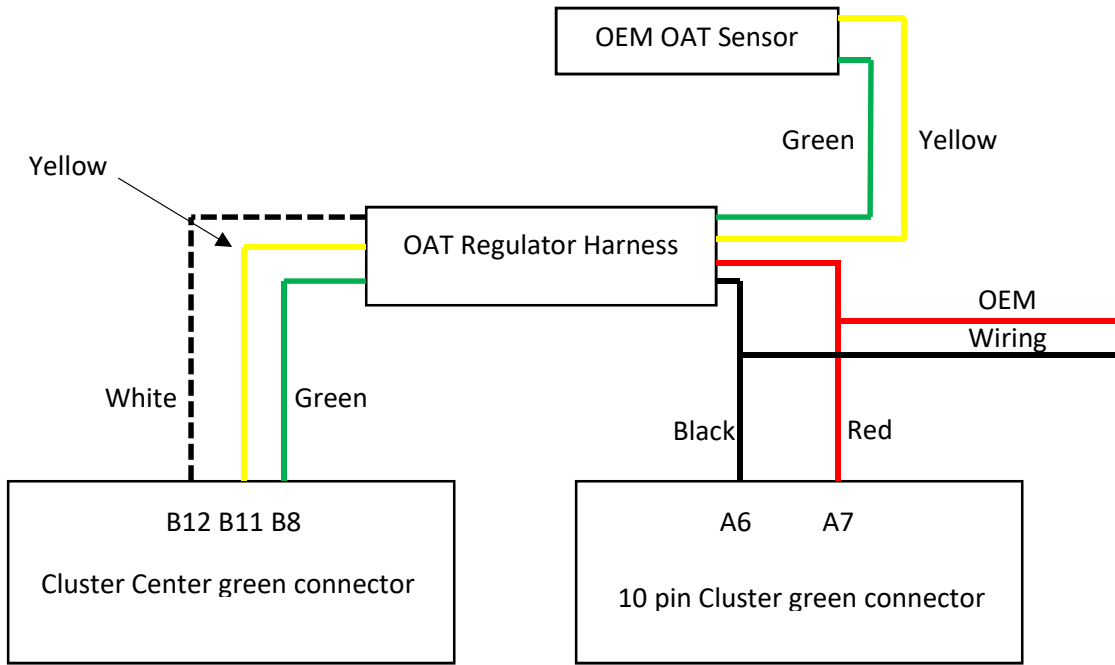


Subaru part #73730FE010



Tap the **red** wire into the wire going to pin A7

Tap the black wire into the wire going to pin A6

The white wire goes into the green connector at B12

The **yellow** wire goes into the green connector at B11

The **green** wire goes into the green connector at B8

If there are wires already in the green connector at B8 and B11 pop them out of the connector and wrap the pins with electrical tape.

